



PlayMaker Hoops Installation Instructions Model 205S

205S



WARNING!

Before beginning any excavation, call your local **Underground Service Locator** company to make sure there are NO electrical power, natural gas, telephone, cable television, irrigation systems or other services in the area you plan to install your new goal system. Cutting into underground electrical and/or natural gas service(s) can result in serious injury or death. Cutting into these or other services may also result in installation delays, loss of service, repair fees, or fines and/or penalties in some locations. CHECK FIRST, THEN DIG.



IMPORTANT!

Please review all instructions prior to assembly. It is important that you fully understand the entire installation process before you start. If you doubt your ability to safely install this system, you should call an experienced installation professional to complete the project.

OVERVIEW:

The installation process consists of two separate phases:

1. Setting the anchor system (allow 48 hours for concrete cure)
2. Setting the pole, adding backboard/rim assembly, final leveling check

The first phase can be done by one person.

The second phase is a three person project (yourself and two others).

Each phase can be completed in less than an afternoon.

Total time: about three to four days, weather permitting.

TOOLS AND MATERIALS REQUIRED:

For The Anchor

- Shovel(s) digging/mixing
- Wheel barrow
- Post hole digger
- Ten to twelve 80# bags of 5,000 psi concrete mix
- 50# bag of non-shrink grout
- Water for mix and clean-up
- Old toothbrush to clean threads

For The Pole/Backboard

- 9/16", 3/4", 1-1/8" wrenches
- 9/16", 3/4" socket & driver
- 24", 12" spirit levels
- Wide putty knife
- Large Phillips screwdriver
- Small needle-nose pliers
- Utility knife to trim Bbd. cover film
- Three sturdy 8' step ladders
- Portable drill with socket adapter (adjustable torque)
- Masking tape
- Tape measure



PlayMaker Hoops Installation Instructions Model 205S

205S

THE BOLT KIT:

It's packed so all parts for every phase of installation are in this kit.

First select the bolts, nuts and washers needed for the anchor assembly. This is the anchor template, two bent anchor bolts, four 3/4" leveling nuts, eight 3/4" flat washers, eight 3/4" top locking nuts, and four anchor boots.

THEN: To speed installation phase, put the remaining parts in these groups during the concrete cure (at least 48 hours):

Head Assy. to Pole

- (5) 1/2-13 x 7" Bolts
- (10) 1/2" Flat Washers (FW)
- (5) 1/2-13 Lock Nuts
- (1) Rear Headplate

Rim to BBD to Head Assy

- (4) 3/8-16 x 2" Bolt
- (8) 3/8" Flat Washers (FW)
- (4) 3/8-16 Lock Nuts
- (1) Rim Gasket

Available Backboard Pads

- (2) Molded Backboard Pads
- (1) Extension Pad for 72" Bkbrd.
- (8) Self-tapping Screws
- (8) Screw Protectors

Upper Arms to Head

- (1) 1/2-13 x 7-1/2" Bolt
- (2) 1/2" Flat Washers (FW)
- (1) 1/2-13 Lock Nut

Upper Arms to BBD Frame

- (2) 1/2-13 x 1-1/2" Bolts
- (4) 1/2" Flat Washers (FW)
- (2) 1/2-13 Lock Nuts

Miscellaneous

- (1) 1/2 oz. bottle touch-up paint

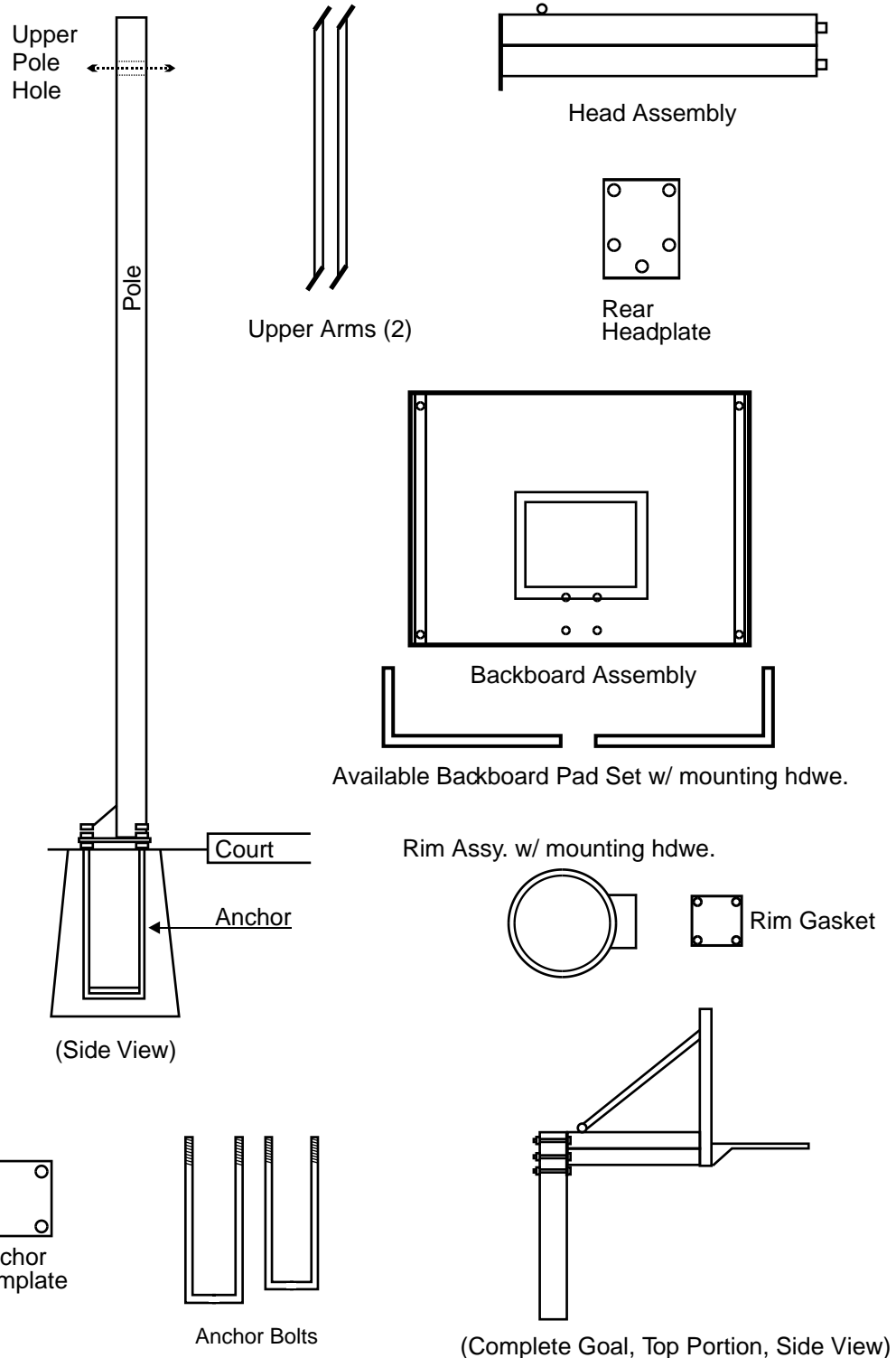


PlayMaker Hoops Installation Instructions Model 205S

205S

THE HARDWARE:

It's packed in multiple boxes: includes two upper arms, head assembly, rear headplate, pole, anchor kit, backboard assembly, rim kit and gasket.





PlayMaker Hoops Installation Instructions Model 205S

205S

PHASE ONE - INSTALL THE ANCHOR:

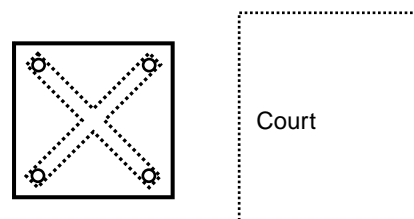
The base is the strongest part of the PlayMaker Basketball Goal System. It's also the only permanent part of the installation process. If you move, you can take your PlayMaker goal with you. Just get a new anchor assembly for your new location.

Be sure you have checked for any underground services (electrical, natural gas, telephone, television cable, irrigation system, etc.) before you dig.

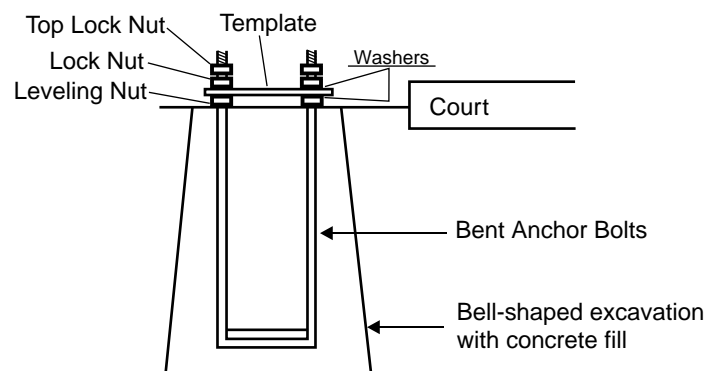
1. Assemble anchor bolts with nuts, washers, and the template as shown.
2. Dig the hole a minimum of 20" x 20" square and 36" deep about 1 foot on center from the play surface. A slight "bell" shaped hole that is wider at the bottom will wedge the concrete tighter in the hole. If the grade slopes away from the court, you will need to make concrete forms. Forms hold concrete in place while it cures, helping you to merge the play surface to the anchor concrete for a neater appearance.
3. Mix concrete according to instructions on the bag. Mix enough to fill the hole about 10" from the top. Install the assembled anchor system into the wet concrete and align two of the four bolts parallel to the court/play area. **Anchor depth is critical.** The bottom of the threads on the anchor should be about 1" below the level of the court.
4. After checking that the anchor is square with the court and at the proper depth, finish filling the hole with concrete to the bottom of the anchor threads. **DO NOT** cover the lower "leveling" nuts with concrete. These nuts need to turn to plumb the pole. Now is a good time to adjust the nuts so they occupy about the same horizontal plane.
5. Clean the threads of the anchor with an old toothbrush to be sure there is no concrete in the grooves. Don't forget proper cleanup of your concrete mixing area/equipment.

ALLOW 48 HOURS FOR CONCRETE TO CURE

Top View:



Side View:





PlayMaker Hoops Installation Instructions Model 205S

205S

PHASE TWO - INSTALL THE POLE AND BACKBOARD:

This phase has 14 steps, described and illustrated over the following pages. When completed, your ready for action. Let's get busy!

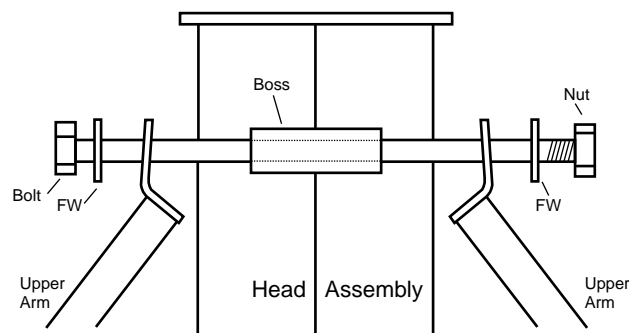
1. Head to Pole. It is easiest to attach the head to the pole while it's still flat on the deck. Put a flat washer (FW) on a 1/2" - 13 x 7" bolt. Insert this through the lower middle hole on the head assembly, through the single hole on the pole, through the rear headplate. Add a flat washer (FW) and a lock nut. The four remaining bolts assemble the same way except they do not assemble through the pole.

2. Remove the top locking nuts, top washers and anchor template from the four anchor posts. You may leave the anchor template in place if needed; however, we recommend removal. The lower nuts and washers remain on the anchor posts; they provide a leveling function by adjusting the pole's baseplate. You might add a drop or two of common household oil on each anchor post, and turn the nuts a few times each way to be sure concrete has not fouled the threads. Now is a good time to make sure all the nuts are level, before adding the pole.

3. You will need help in setting the pole upright on the anchor. First, align the two front holes in the pole baseplate with the two front anchors, then stand the pole upright, bringing the back baseplate holes onto the back anchors. Let the pole stand on the lower flat washers and leveling nuts. Make sure the upper pole hole (on the top of the pole) faces the court/play area. Before you release the pole, replace the top washers and nuts. Replace the top locking nuts to secure the pole so it will stand on its own, but leave them loose enough to make adjustments to the lower leveling nuts, next.

4. Now make an initial adjustment to the anchor's lower "leveling" nuts under the pole baseplate to move the pole to a vertical (plumb) position. Use a spirit level. Check for plumb in both front/back and left/right planes as you face the pole. Getting it accurate now means less finishing adjustments will be needed later after adding the backboard assembly. Tighten the top nuts on the anchor to firmly secure the pole.

5. Upper Arm to Head. Put a flat washer (FW) on a 1/2" - 13 x 7-1/2" bolt. Insert this assembly through the end of one upper arm, through the upper head boss, through the second upper arm. Add a flat washer (FW) and lightly tighten the locking nut. The upper arms are now attached to the head assembly as shown in the illustration below.





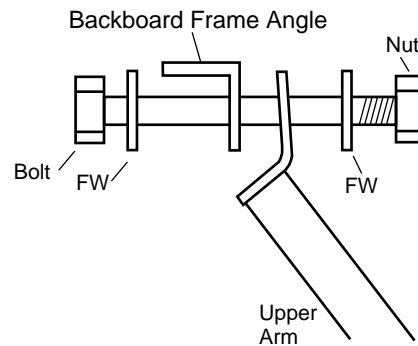
PlayMaker Hoops Installation Instructions Model 205S

205S

PHASE TWO - INSTALL THE POLE AND BACKBOARD (continued):

6. Rim to Backboard to Head Assembly. Here's where you will need the help of two friends. Put a 3/8" flat washer (FW) on each of the four 3/8" - 16 x 2" bolts. Insert them through the back of the steel Head Assembly and the 1/4" gasket. Get your helpers onto a pair of sturdy 8' ladders. Have them lift the backboard assembly to a height that matches the Head Assembly. Use proper lifting technique, the backboard assembly is quite heavy. Put the bolts through the acrylic, rim, washer and lightly tighten the nuts. Wait to fully tighten the rim. One of the last steps is to level the rim after final assembly.

7. Attach Backboard to Arms. Rotate the upper arms so they match up with the inside of the upper holes on the backboard frame. Put a flat washer (FW) on each of the two 1-1/2" bolts. Insert a bolt/washer through the backboard frame, then through one of the upper arms. Add a flat washer (FW) and lightly tighten the locking nut. Repeat for the other side.



8. Now it is time to fine tune the system. The objective is to make the face of the backboard vertical (plumb) and the rim horizontal (level). The backboard is adjusted by raising/lowering the corners of the pole's baseplate using the lower nuts on the anchor underneath the baseplate. To do this, loosen the locking nuts above the baseplate and turn the lower leveling nuts under the baseplate to lean the pole left, right, forward or backward. When the backboard is plumb, lock down the top anchor nuts. Next, level the rim and tighten its mounting hardware. Tighten all bolts to stiffen the goal and eliminate rattles.

9. IMPORTANT: do a final plumb and level check. The space between the bottom of the baseplate and the top of the concrete should now be filled using a non-shrink grout. Mix the grout to a stiff consistency and pack it into the space under the baseplate. This will protect the anchor system from the elements and permanently lock the pole into position.

10. The last step is to install the backboard pads. This step greatly increases player safety and is highly recommended. Each PlayMaker hoop has available custom designed molded urethane edge guards to exactly fit your particular backboard.

Continued on page 7...



PlayMaker Hoops Installation Instructions Model 205S

205S

PHASE TWO - INSTALL THE POLE AND BACKBOARD (continued):

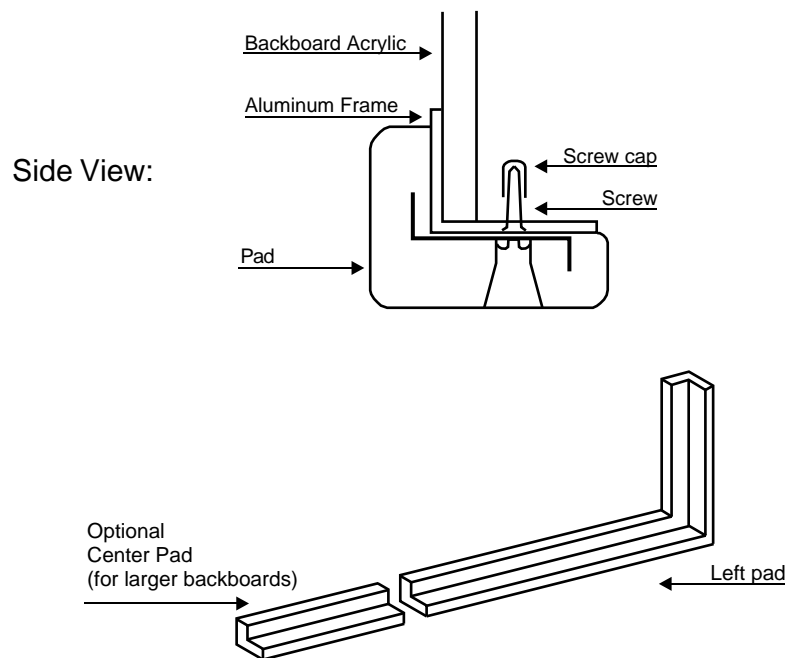
10. (Continued) Use a tape measure to mark the centerline on the backboard. Place on to the backboard pads on the centerline of the board and use masking tape to hold it in position. (If using optional Extension Pad for larger backboards, center it on board and tape into place, then work you way outward with the padding.) Install the other half of the padding and tape in place.

11. Check the fit of the edge guards and reposition if needed. It may be necessary to trim away some material to fit around goal or supports. **NOTE: CHECK FASTENER LOCATIONS TO MAKE SURE THEY WILL NOT DAMAGE THE BACKBOARD GLASS.**

12. Using a portable drill with torque adjustment at lowest setting, fasten the edge guards in place with the provided self-drilling, self-tapping screws. **NOTE: DO NOT OVERTIGHTEN SCREWS, IT MAY STRIP OUT THE SCREWS.**

13. If the ends of the screws are exposed after installation, place the protective screw caps over the ends to prevent injury.

14. Collect any metal shavings that may have fallen into the play area. Remove masking tape. Enjoy your new PlayMaker Hoop!



Maintaining Your Goal

Periodically clean your backboard with mild soapy water and a squeegee to keep the acrylic surface looking new. **DO NOT USE "WINDEX" OR OTHER AMMONIA BASED CLEANERS.** Use the supplied touch-up paint to cover any nicks to the paint on metal surfaces to help prevent rust.